

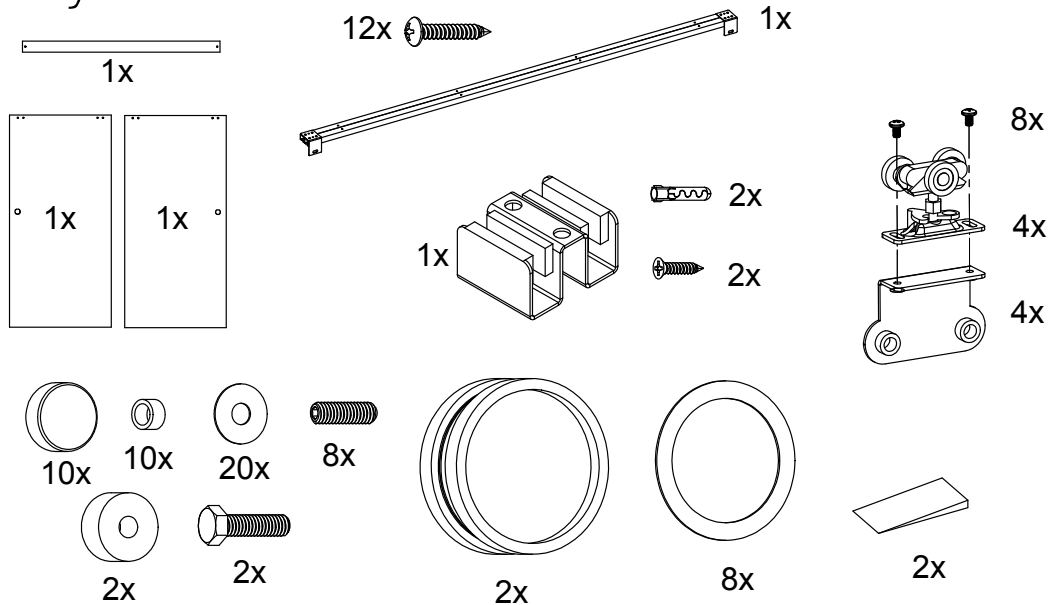
Installation Instructions

2 Door Bypass Sliding Glass Closet



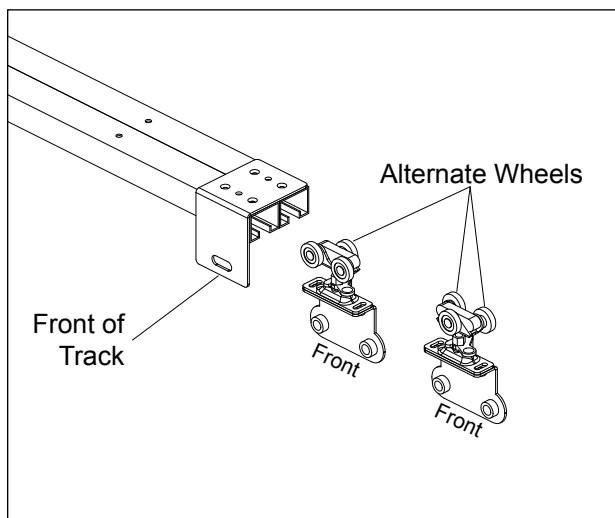
Read all instructions carefully before installing.
Warranties may be voided if installation instructions are not accurately followed.

1 Identify Parts

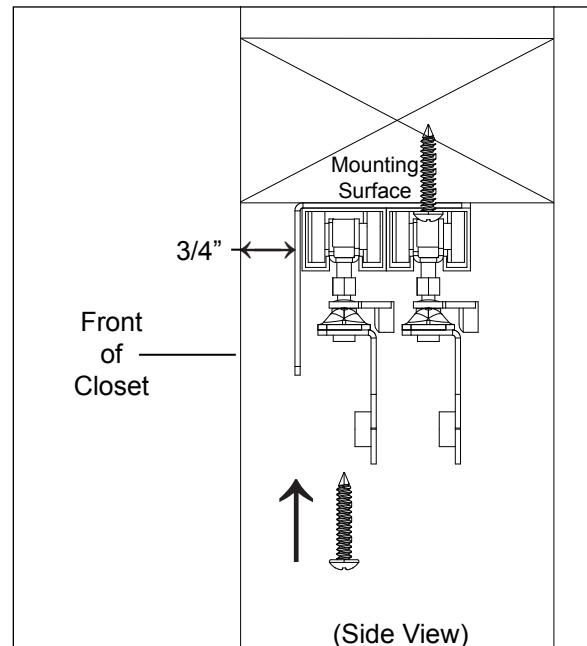


2 Install Track

A. Insert two roller wheels into each track, alternating the tricycle roller wheels. The front of the lower brackets should face the front of the track.

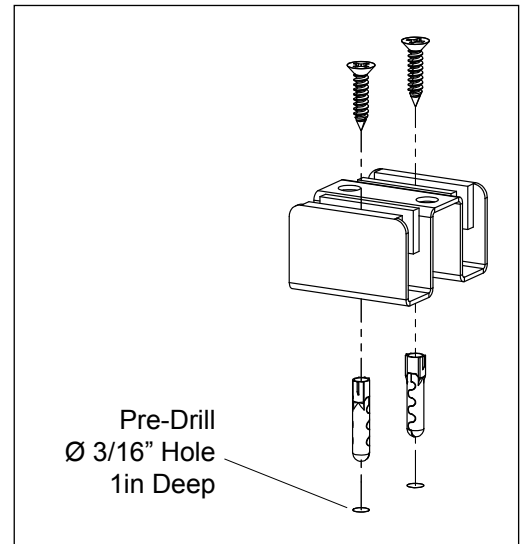
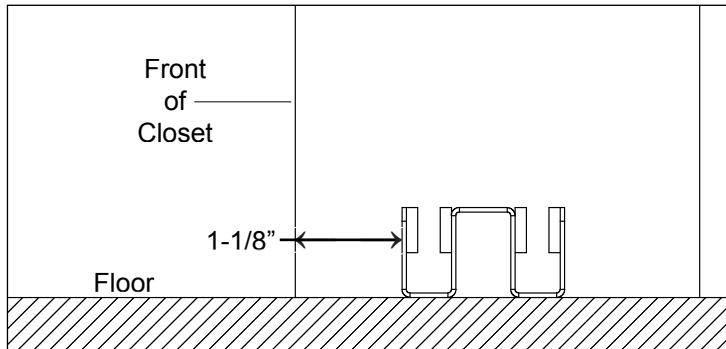


B. Screw track into header or ceiling, spacing front of track 3/4" from the front of the opening.



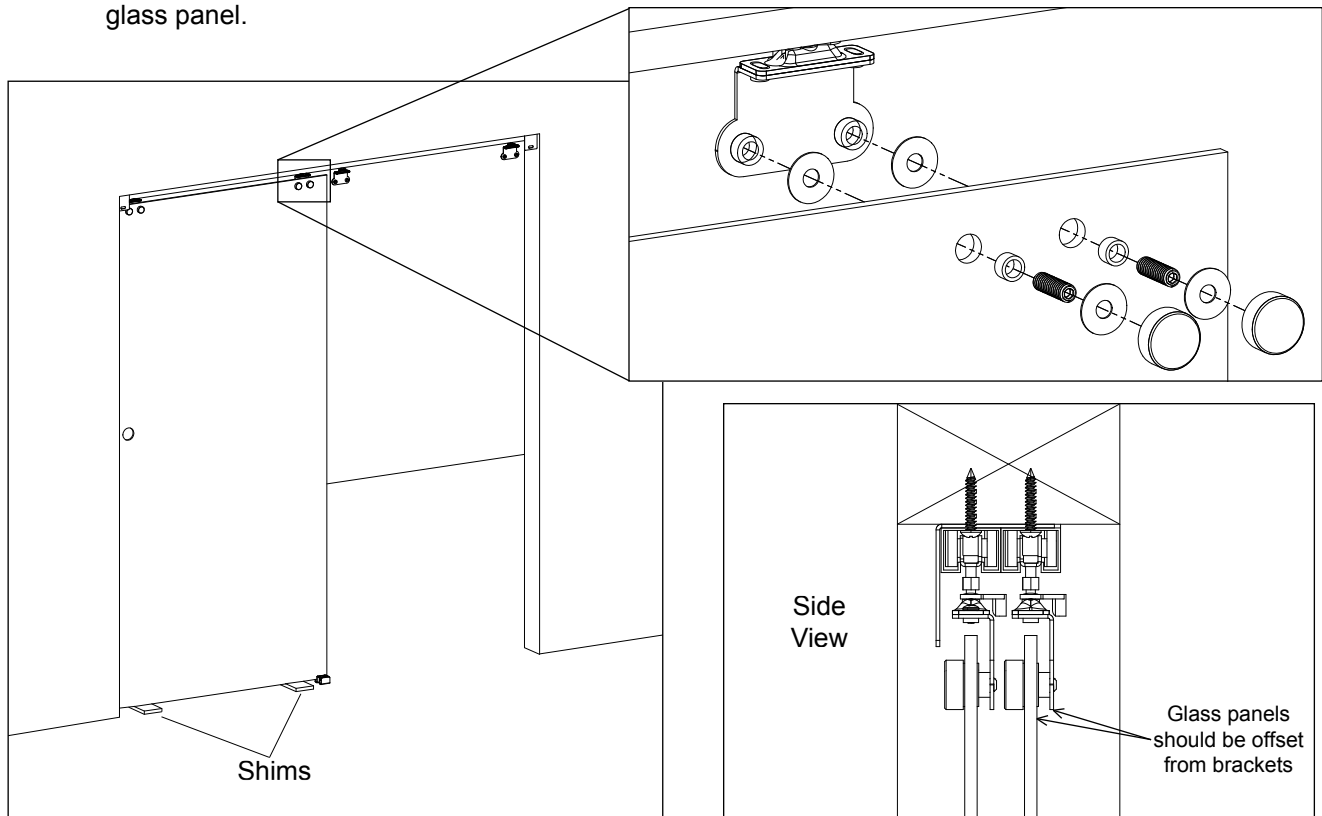
3 Install Floor Guide

Install the floor guide in the center of the system, 1-1/8" from the front of the closet opening. Using the floor guide as a template, pre-drill holes and screw floor guide into the floor as shown.



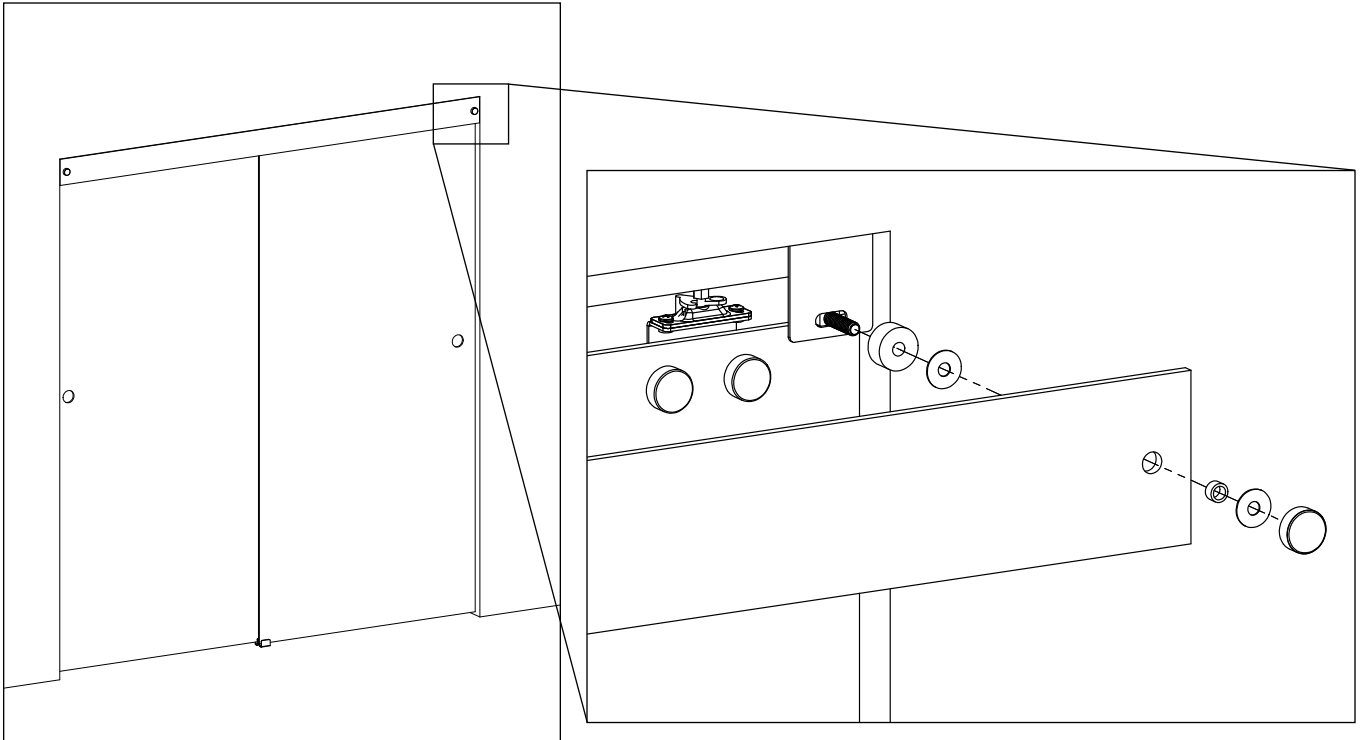
4 Hang Glass Panels

Install rear glass panel by placing bottom of panel in rear channel of floor guide. Rest weight of glass on temporary shims as shown. Install hardware as shown and hand-tighten. Remove shims. Repeat with front glass panel.



5 Mount Glass Fascia

Install hardware as shown and hand-tighten.



6 Install Handles

Install hardware as shown and hand-tighten.

